

CYANIDE EQUIPMENT



Digestion apparatus specifically developed for the decomposition and purging of water and soil samples for the determination of easily released cyanides and total cyanide, as well as other volatile gases.

Proven C. Gerhardt technology based on the TURBOTHERM rapid digestion unit.

Quick, even heating thanks to infrared technology.

With a flow meter and magnetic agitator at each heating point.

In accordance with DIN 38405 and DIN ISO 11262.

Available with various fittings.

Scope of delivery TURBOTHERM basic unit

Magnetic stirrer

Cyanide attachment, including:
all glass components, insert rack,
digestion tubes and tubing set

CYANIDE-EQUIPMENT (with Magnetic stirrer)

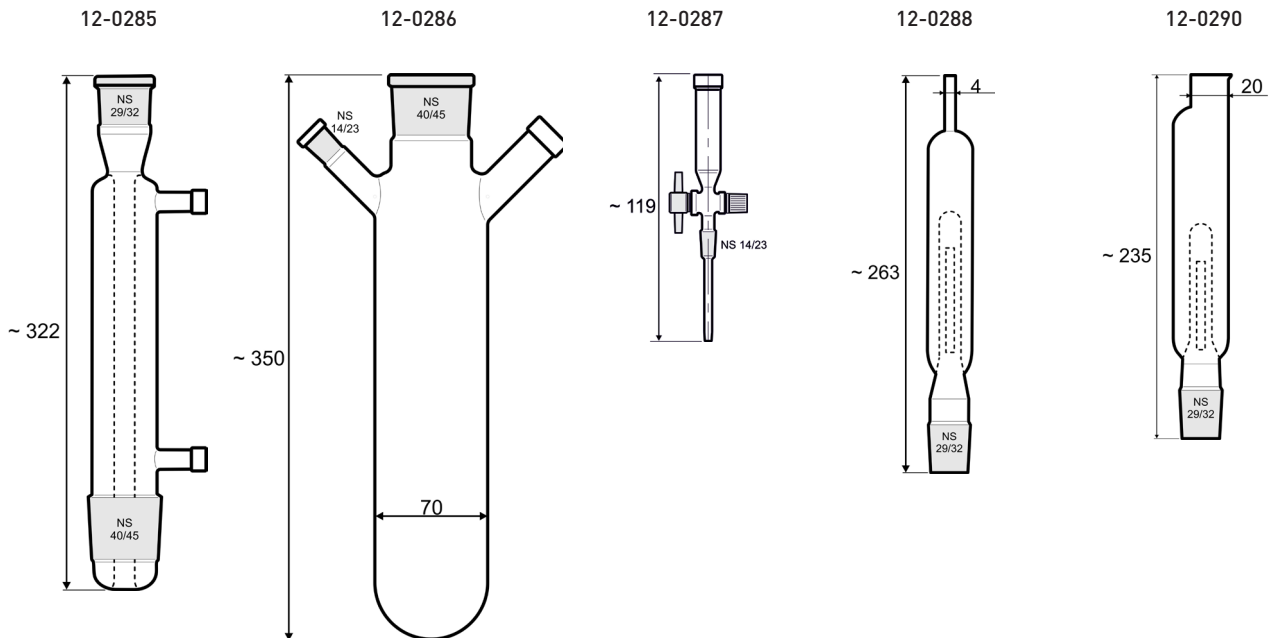
Type	TTs 4 CAR
TECHNICAL DATA	
Heating places	4
Size of tubes [ml]	800
Temperature max. [°C]	approx 650
Programs ¹⁾	99 ¹⁾
Adjustable volume flow:	10 - 100 l/h
Nominal wattage [W]	2000 (1800)
Dimensions W / D / H [mm]	525 / 520 / 845
Weight [kg]	ca. 36,5
Nominal voltage [V]	230 (115)
Current consumption [A]	9,0 (16,0)
Frequency [Hz]	50/60
DELIVERS	
TURBOTHERM-basic system TT 4 CAR (with integrated magnetic stirrer)	1 x
Insert rack EG480	1 x
Digestion tube 800 ml with NS45	4 x
Dropping funnel	4 x
Absorption trap	4 x
Reflux condenser	4 x
Tubing set	1 x
ORDER INFORMATION	
Version 230 V	12-0614
Version 115 V	12-0615

1) each program is available with 40 different heating steps that have programmable times and heating capacities
Specifications in brackets for version 115 V

Accessories

Order No.	Description
12-0285	Condenser RKC, with NS45, for Cyanide accessory kit 4C
12-0286	Digestion tube AGC, with NS45, for TURBOTHERM digestion unit ‚Cyanide‘
12-0287	Dropping funnel TRC, for TURBOTHERM digestion unit ‚Cyanide‘
12-0288	Cooling trap AFC, for TURBOTHERM digestion unit ‚Cyanide‘ [standard]
12-0290	Cooling trap 100 ml NS29, upper opening 20 mm ID, Cyanide (special)
1000502	PVC tubing 10/14
1002447	Gas inlet tubing formed 4 x 6, L 500, for cyanide-unit
1007314	Drip tray, stainless steel
12-0272	Insert rack EG480, for 4 x 800ml tubes
10-0057	Mains cable 230 V AKE, 3 x 1.0 mm ² , L 1.5m, rubber-coated
1002243	Mains cable 115 V AKE, L 2.0 m

More accessories and consumables on request.



Presented by: